

YYO 300: OPC server

How energy efficiency is improved

SAUTER EY-modulo 2 – proven technology in a new design – can be integrated into any visualisation and energy management system using the standard OPC interface.

Features

- Integration of novaNet stations from the EY-modulo 2 and EY3600 ranges
- novaNet bus access with the devices
 - a. novaNet291 router as a direct connection or via modem for a remote connection
 - b. moduNet292-novaNet-Ethernet interface
- Data exchange for status, commands, measured values and setpoints
- Query of historical data
- Display and setting of time programmes and calendars in the stations (ActiveX components)
- OPC specification: in accordance with OPC Data Access 2.0 (OPC DA 2.0)
- For visualisation software with OPC client function and optional support for ActiveX
- Windows operating systems:
 - Windows XP Professional, Windows 7 (32- and 64-bit), Windows Server 2008
- PC interfaces:
 - EIA-232 (COM interface for novaNet291/router)
 - EIA-232/modem (modem interface for dial-up operation with novaNet291/router)
 - Ethernet (via novaVPort driver for moduNet292)



YYO300F010

Overview of types

Type	Properties
YYO300F010	novaNet OPC server for EY-modulo 2 and EY3600 (incl. USB key/dongle)

Accessories

Type	Description
EY-BU292F001	novaNet-Ethernet interface (cabinet model)
EY-BU292F002	novaNet-Ethernet interface (desktop model)
EYZ291F001	novaNet router

Summary of functions

The novaNet OPC Server for EY-modulo 2 and EY3600 is a driver software with the standardised OPC Interface (OPC = OLE for process control) for simple inclusion of SAUTER novaNet stations in a visualisation program (SCADA, HMI) with OPC client functionality.

Intended use

This product is only suitable for the purpose intended by the manufacturer, as described in the «Summary of functions» section.

All related product documents must also be adhered to. Modifications to the product are not permitted.

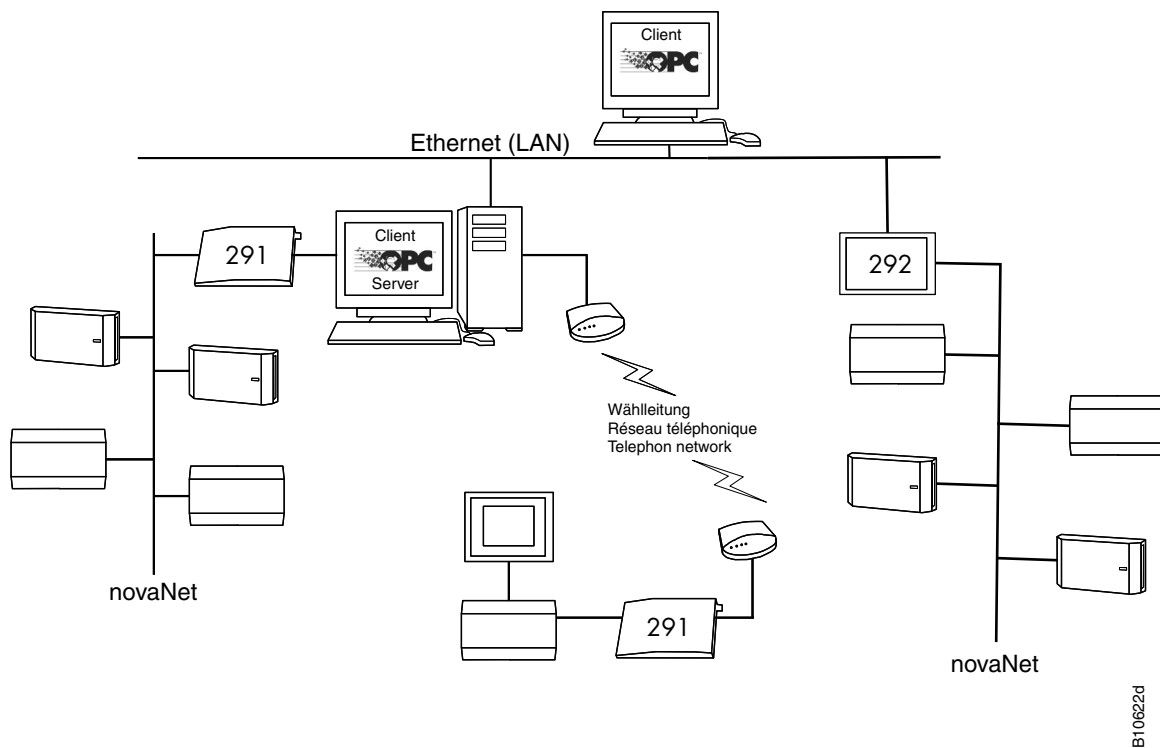
Engineering notes

- The novaNet OPC server fulfils the OPC DA 2.0 specification and also works as a remote OPC server via DCOM. It can only be used as an OutProc server.
- A novaNet OPC server can have up to 16 novaNet291 routers connected directly, each to a serial port.
- The usual novaNet specifications apply.
- A novaNet OPC server can operate up to 6 moduNet292 novaNet Ethernet interfaces via novaV-Port.
- There is no limit to the number of novaNet units for modem connections.
- The usual novaNet specifications apply.

The following diagram shows a possible system topology with a novaNet OPC server



Topology



The novaNet OPC server is independent from the Windows operating system language. Any keywords for configuring the novaNet OPC Server are explained in the manual and are in English. The driver is licence-protected with a USB dongle. The ActiveX component for the time programme exists in German, English and French.

The novaNet OPC server can be used with OPC clients specified according to OPC DA 2.0 (e.g. Panorama 7 or 8, Panorama E², iFix, PCVue 32). Fr. Sauter AG recommends using the native novaNet driver for nova-Pro Open.

More information can be found in the novaNet OPC Server manual (7001063 001).

Additional technical data

Requirements for the personal computer (PC)

Processor	At least INTEL Pentium III 450 MHz
RAM	256 MB RAM (512 MB recommended)
Hard drive	At least 5 GB (installed software approx. 13 MB)
CD drive	For installation
Interfaces	1 mouse
	1 serial RS-232 interface
	1 network port
	1 USB port for licence dongle
Operating system	From V2.2.0.13: Windows XP Professional, Windows Server 2008 Windows 7 (32- and 64-bit) Up to V2.2.0.11: Windows 2000, XP Prof., Server 2000/2003
Application software	OPC Client software with (optional) ActiveX functionality

Disposal

Data media must be disposed of in accordance with the relevant laws, separately from domestic waste. Please take them to an official collection point.

SAUTER is keen to ensure that all health and environmental regulations are complied with during recycling.