

EY-IO 572: I/O module, analogue outputs, universal and digital inputs, modu572

How energy efficiency is improved

SAUTER EY-modulo 5 technology: modular, fast and universal

Features

- Part of the SAUTER EY-modulo 5 system family
- Plug-in element for extending the modu524/525 automation station (AS)
- Actuation with a standard signal (0...10 V), receiving digital (alarm/status) and analogue inputs (Ni/Pt1000, U/I/Pot) in operational systems, e.g. in HVAC engineering.
- 15 inputs/outputs
- Power supply of the automation station
- Direct labelling on the front
- Can be equipped with a local operating and indicating unit



EY-IO572F001

Technical data

Power supply		
Power supply		From AS via I/O bus
Power consumption ¹⁾		≤ 1.8 VA/0.8 W
Dissipated power		≤ 0.8 W
Current consumption ²⁾		≤ 110 mA
Ambient conditions		
Operating temperature		0...45 °C
Storage and transport temperature		-25...70 °C
Admissible ambient humidity		10...85% rh, no condensation
Inputs/outputs		
Analogue outputs		4 × 0...10 V/0...20 mA (source)
Load		≤ 20 mA
Load ≥ 5 kΩ		Output 0...10 V / 2...10 V
Load ≤ 400 kΩ		Output 0...20 mA / 4...20 mA
Admissible load voltage		< 2 V (0(4)...20 mA)
Universal inputs		8
Analogue		Ni1000/Pt1000, U/I/R, Pot
Digital		DI (≤ 3 Hz)
Digital inputs		3 fixed assignment
Pulse counter		≤ 50 Hz
Interfaces and communication		
Connection, modu6 (LOI)		6-pin, integrated
Connection, I/O bus		12-pin, integrated
Connection terminals		24 (0.5...2.5 mm ²)
Construction		
Fitting		On DIN rail
Dimensions W x H x D		42 × 170 × 115 mm
Weight		0.29 kg
Standards and directives		
Type of protection		IP30 (EN 60529)
Protection class		I (EN 60730-1)
Environment class		3K3 (IEC 60721)
CE conformity according to	EMC Directive 2014/30/EU	EN 61000-6-1, EN 61000-6-2, EN 61000-6-3, EN 61000-6-4

¹⁾ Primary side of base station

²⁾ Supply via base station



Overview of types

Type	Properties
EY-IO572F001	I/O module, analogue outputs, universal and digital inputs, modu572

Accessories

Local operating and indicating units (LOI)

Type	Description
EY-LO630F001	16-LED indication, bi-colour
EY-LO670F001	4 setpoint transmitters (A-0...100%), 8 LEDs operation/indication

Description of operation

The modu572 I/O module is used to extend the modu524 and modu525 automation stations. It is used for actuation with a standard signal (0...10 V), receiving digital (alarm/status) and analogue inputs (Ni/Pt1000, U/I/Pot) in operational systems, e.g. in HVAC engineering. It provides a total of 4 analogue outputs and 8 universal inputs.

Intended use

This product is only suitable for the purpose intended by the manufacturer, as described in the "Description of operation" section. All related product regulations must also be adhered to. Changing or converting the product is not admissible.

Engineering notes

The modu572 I/O module is generally comprised of two components. The baseplate in which the I/O bus system and the connection terminals are integrated and the actual I/O module electronics.

Fitting/assembly

The baseplate of the I/O module is fitted in a cabinet using a DIN rail (EN 60715) and connected on the side directly to the I/O bus of the AS or the extension modules. This work must only be carried out when the system is disconnected from the electrical supply.

The baseplate contains the "bus module", which is responsible for power supply and continuous communication. This ensures that faults due to a failure or partial defect in the electronic component do not affect the function of other downstream modules.

Removing/inserting the I/O electronics module from/to the baseplate is possible while the AS is in operation.

To ensure plant safety and to avoid any faults at inputs or outputs, the I/O electronics module should only be removed or inserted while the base station is switched off.

The return line of the Ni/Pt1000 sensors must be separated from the other inputs and outputs, i.e. separate GND terminals ⊥ must be used.

Labelling concept

The I/O module can be labelled with a paper insert in the front transparent cap. Labelling is usually carried out using texts generated from CASE Suite, and the labels are printed on normal A4 paper using a commercial printer.

Assigning modules to AS

The I/O electronics module is encoded for the hardware using pin inserts so that only the appropriate baseplate can be used. The AS detects whether a module baseplate is plugged into the I/O bus. The baseplate number and the assignment of module types for the I/O modules on the AS are defined with CASE Suite. This information is permanently stored in the AS.

LED indicator/function

The I/O module is equipped with a system LED that indicates the operating statuses as follows:

System LED

I/O bus LED	Status	Description
No designation	Continuous green light	Module in operation
	Flashing green or red	Module not ready for operation
	Alternating green - red - off	Lamp test active (indicator type priority)
	No indicator	No power supply

Output/inputs

The I/O module has a total of 4 analogue outputs, 8 universal inputs and 3 digital inputs.

Outputs

Number of outputs	4
Type of outputs	Analogue outputs 0(2)...10 V= or 0(4)...20 mA ≥ to 20 mA (source) per output Return line grounded
Refresh rate	100 ms
Resolution	13 bits

The output voltage is taken from between an output terminal (a0...a3) and a ground terminal. The outputs are designed as sources only and can be loaded with up to 20 mA.

Switching between the current and voltage mode depends on the load connected:

- Load $\leq 400 \Omega$: modu572 assumes that a current input is connected and issues a current signal.
- Load $\geq 5 \text{ k}\Omega$: modu572 assumes that a voltage input is connected and issues a voltage signal.

A load between 400Ω and $5 \text{ k}\Omega$ is to be avoided, as under these conditions an undefined status exists. If there is another component in series with the load resistance (e.g. diode, Zener diode), this analogue output is unsuitable for this purpose. The output is explicitly unsuitable for sensors that take their energy supply from the current signal (0(4)...20 mA).

The specification must be maintained across the entire measuring range. The load that applies to the output terminals, including the line resistance and parasitic resistances, is the deciding factor.

The outputs are protected against static discharges, not against AC or DC that is present.

Universal inputs

Number of inputs	8 (UI)
Type of inputs (software coding)	Ni1000 (DIN 43760) Pt1000 (IEC 751) Voltage measurement (U) Current measurement (I) channel u8, u9 only! Potentiometer input (Pot) Resistance (R)
Protection against external voltage	
Ni/Pt/U/R/Pot/DI	$\pm 30 \text{ V} / 24 \text{ V} \sim$ (without destruction)
I (channels u8, u9)	+12 V/-0.3 V (without destruction)
Reference	$U_{\text{ref}} 1.23 \text{ V}$ (terminal no. 22)
Refresh rate	
Channels u8, u12	100 ms
Channels u9, u10, u11, u13, u14, u15	500 ms
For temperature measurement (independent of channel)	$\leq 3 \text{ s}$
Resolution	14 bits
Measuring ranges	
Voltage (U)	0 (2)...10 V, 0 (0.2)...1 V
Current (I)	0 (4)...20 mA
Potentiometer (Pot)	0...1 (100%) with 3-wire connection (1...100 k Ω)
Reference	$U_{\text{ref}} 1.23 \text{ V}$ (terminal no. 22) load max. 10 mA
Resistance (R)	200...2500 Ω
Temperature	
Ni1000	-50...+150 °C
Pt1000	-50...+150 °C
Digital input	Potential-free contacts with ground connection Opto-coupler, transistor (open collector) approx. $I_{\text{out}} = 1.2 \text{ mA}$
Pulse counter	$\leq 3 \text{ Hz}$ (100 ms update interval)

Temperature measurement (Ni/Pt)

The Ni/Pt1000 sensors are connected using two wires between one of the input terminals for universal inputs (channel u8...u15) and a ground terminal. The inputs require no calibration and can be

used directly. Line resistance of 2 Ω is pre-compensated as standard. With the correct line resistance of 2 Ω (cable cross-section 1.5 mm²), the power cable (wire) may be no more than 85 m. Larger line resistances can be compensated by the software. The measurement current is pulsed to ensure that the sensor is not heated (I_{meas} approx. 0.3 mA).

Voltage measurement (U)

The voltage to be measured is connected between an input terminal for universal inputs (channel u8...u15) and a ground terminal. The signal must be potential-free. The measuring ranges with or without offset 0 (0.2)...1 V or 0 (2)...10 V are selected through the software. The internal resistance R_i of the input (load) is 9 M Ω .

Current measurement (I)

The current can only be measured at two inputs. The current to be measured is connected at one of the two input terminals for universal inputs (channel u8, u9) and a ground terminal. The current signal must be potential-free. The measuring ranges with or without offset 0 (4)...20 mA are selected via the software. The internal resistance R_i of the maximum input current must be limited to 50 mA. The internal resistance R_i is < 50 Ω .

Potentiometer measurement (Pot)

The potentiometer is connected between an input terminal for universal inputs (channel u8...u15), a ground terminal and the terminal U_{ref} (reference voltage). The reference output is not short circuit-proof. To avoid overloading the reference output, the overall resistance of all connected potentiometers may not drop below 123 Ω (max. 10 mA load). For a stable, interference-free measurement, a potentiometer value of ≤ 10 k Ω is recommended.



Note

To maintain measuring accuracy, ground connections should always be connected to the same type of input.

For an optimum connection, we recommend connecting one ground terminal of the I/O module directly with the AS or each appropriate cabinet terminal.

Digital inputs (DI with UI)

The AS also records binary information with the universal inputs. The information (alarm/status) is connected between an input terminal (u8...u15) and a ground terminal. The station applies a voltage of approximately 13 V to the terminal. If a contact is open, this usually corresponds to an INACTIVE state (bit = 0). If a contact is closed, there is an ACTIVE state (bit = 1) and 0 V is applied, giving a current of approximately 1 mA. Short-term changes (default 33 ms) between the station queries are saved briefly and processed at the next cycle.

Every input can be defined individually as an alarm or a status through software parameter setting. The digital inputs can be displayed with a local indicating unit (e.g. modu630 accessory).

Digital inputs (DI fixed)

Number of inputs	3
Type of inputs	Potential-free contacts with ground connection Opto-coupler Transistor (open collector)
Pulse counter	≤ 50 Hz
Pulse length	> 4ms
Protection against external voltage	± 30 V / 24 V~ (without destruction)
Max. output current	1.2 mA to ground
Refresh rate	100 ms

The binary information is connected between one of the input terminals (d5...d7) and the ground. The module applies a voltage of approximately 13 V to the terminal. If a contact is open, this corresponds to an INACTIVE state (bit = 0). If a contact is closed, there is an ACTIVE state (bit = 1) and 0 V is applied, giving a current of approximately 1 mA. Short-term changes (default 33 ms) between the station queries are stored temporarily and processed during the next cycle. Every input can be defined individually as an alarm or a status by setting software parameters.

The digital inputs can be displayed with a local indicating unit (e.g. modu630 accessory).

Pulse counter (CI with DI)

At the digital inputs, counter inputs of potential-free contacts, opto-couplers or transistors with an open collector can be connected. The maximum pulse frequency may be 50 Hz. To ensure that

switching contacts are recorded correctly, there is a debounce time of 5 ms. Pulses may be captured on falling, rising or both edges; the minimum pulse duration should be four times the debounce time.

Technical specifications of the inputs and outputs

Universal input	Measuring range	Resolution	Precision	
			a x measuring span + b x measured value	
Ni/Pt1000	-50...+150 °C	< 0.05 K	±0.5%	±0.5%
U (0/0.2...1 V)	0.02...1.1 V	< 0.1 mV	±0.5%	±0.5%
U (0/2...10 V)	0.15...10.2 V	< 1mV	±0.5%	±0.5%
I (0/4...20 mA)	0.5...22 mA	< 0.02 mA	±1%	±2%
R	200...2500 Ω	< 0.1 Ω	±0.2%	±1%
Pot (≥ 1 kΩ)	2...100%	< 0.5%	±1%	±1%

Example of calculating the accuracy: Measured value 20°C. Measuring span: -50°C + 150°C = 200K

Precision = a x measuring span + b x measured value = ±0.5% x 200K ±0.5% x 20°C = ±1K ±0.1K = ±1.1K

Analogue output	Range of adjustment	Resolution	Accuracy
AO (0/2...10 V / 0...20 mA)	0.01...10.2 V	< 2 mV	1%

Binary input (0-1)	Universal input (UI)	Digital input (DI)
Switching threshold inactive "0"	> 3 V	> 4 V
Switching threshold active "1"	< 1.5 V	< 2.5 V
Switching hysteresis	> 0.4 V	> 0.4 V
Pulse counter	≤ 3 Hz	≤ 50 Hz

Channel and terminal assignment

Description modu572	Channel	Schematic	Terminals	
			Signal	GND
Analogue output (0...10V)	0	a0	2	1
	1	a1	4	3
	2	a2	6	5
	3	a3	8	7
Digital input (Pulse counter CI)	5	d5	10	9
	6	d6	11	
	7	d7	12	
Universal input (Ni/Pt1000/U/R/Pot) Current measurement only on channels 8, 9 or terminals 13, 14	8	u8	13	
	9	u9	14	
	10	u10	15	16
	11	u11	17	18
	12	u12	19	20
	13	u13	21	
	14	u14	23	
	15	u15	24	
Reference voltage 1.23 V		Ref	22	

Connection of local operating unit

The I/O module can be complemented with local operating and indicating units (LOI). A unit can be installed and removed during operation (hot-pluggable) without affecting functions of the AS or I/O module.

For modu572, the following operating and indicating units can be used:

- EY-LO630F001: 16 LED indicators
- EY-LO670F001: 4 slide switches (automatic mode "A", 0...100%) with LED indicators

The function corresponds to the standard EN ISO 16484-2:2004 for local override and indication devices.

Detailed information about the actuation function and LED indicator can be found in the data sheet PDS 92.081 for EY-LO 6**.

If an incompatible operating unit is connected, this status is indicated by the flashing of all LEDs (red and yellow); there is no risk of the I/O module being destroyed.



Note

Before insertion, all controller positions (AUTO) must be checked to ensure that no undesired signal values are issued. When the unit is removed, all outputs are operated with the automatic values of the AS or I/O module.

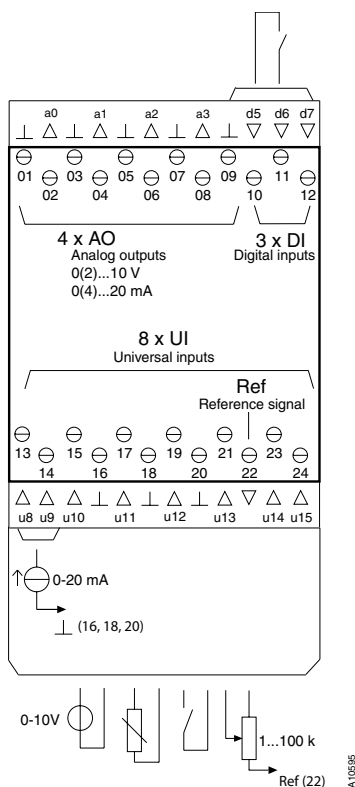
In accordance with the standard, the local override and indication devices allow restricted operation of system components without the involvement of the AS intended for the application. Outputs of the AS or the I/O modules in manual position may change the value briefly when the user program is downloading. The local operating unit can be used to actuate the analogue outputs in the AS directly even without a user application (CASE Engine).

Disposal

When disposing of the product, observe the currently applicable local laws.

More information on materials can be found in the Declaration on materials and the environment for this product.

Connection diagram



Dimension drawing

