

VKAA: 2-way cut-off ball valve with male thread, PN 40

How energy efficiency is improved

Precise cut-off with minimum leakage

Features

- 2-way cut-off ball valve for use in closed circuits in heating, ventilation and air conditioning systems
- As a cut-off device and control unit for 2-point control in combination with valve actuators AKM 105(S), 115(S) and AKF 112, 113(S)
- Fast changeover in 6 s with valve actuator AKM115SF152
- Low torque due to collar mounted on O-ring
- Ball valve with male thread as per ISO 228-1 G..B
- Body made of dezincification-resistant cast brass
- Ball made of dezincification-resistant brass, chrome-plated and polished surface
- Strainer and screw fitting available as accessories
- Water quality as per VDI 2035
- French drinking water approval ACS



VKAA0**F300



Technical data

Parameters		
Nominal pressure	40 bar	
Leakage rate	Waterproof as per EN 60534-4 L/1, better than class 5	
Angle of rotation	90°	

Ambient conditions		
Operating temperature	-10...130 °C, no condensation	
Operating pressure	Liquids: 40 bar (-10...50 °C) 35 bar (130 °C) Gases: 20 bar	

Overview of types				
Type	Nominal diameter (DN)	Connection ISO 228-1	K _{vs} value	Weight
VKAA015F300	DN 15	G 1" B	9 m ³	0.36 kg
VKAA020F300	DN 20	G 1¼" B	17 m ³	0.55 kg
VKAA025F300	DN 25	G 1½" B	22 m ³	0.57 kg
VKAA032F300	DN 32	G 2" B	35 m ³	0.84 kg
VKAA040F300	DN 40	G 2¼" B	68 m ³	1.29 kg
VKAA050F300	DN 50	G 2¾" B	96 m ³	1.98 kg

Accessories	
Type	Description
0510240001	Assembly kit for VK**/BK** ball valves as spare part and as accessory for rotary actuators ASF 112, 113 from index B
0510240011	Adaptor required when temperature of the medium < 5 °C
0510420001	Adaptor required when temperature of the medium > 100 °C
0361951015	1 screw fitting for male thread with flat seal, DN 15
0361951020	1 screw fitting for male thread with flat seal, DN 20
0361951025	1 screw fitting for male thread with flat seal, DN 25
0361951032	1 screw fitting for male thread with flat seal, DN 32
0361951040	1 screw fitting for male thread with flat seal, DN 40
0361951050	1 screw fitting for male thread with flat seal, DN 50
0560332015	Strainer in gun metal, -10...150 °C, mesh aperture 0.5 mm, DN 15
0560332020	Strainer in gun metal, -10...150 °C, mesh aperture 0.8 mm, DN 20
0560332025	Strainer in gun metal, -10...150 °C, mesh aperture 0.8 mm, DN 25
0560332032	Strainer in gun metal, -10...150 °C, mesh aperture 0.8 mm, DN 32
0560332040	Strainer in gun metal, -10...150 °C, mesh aperture 0.8 mm, DN 40
0560332050	Strainer in gun metal, -10...150 °C, mesh aperture 0.8 mm, DN 50



Combination of VKAA with electric actuators

i *Warranty: The technical data and pressure differences indicated here are applicable only in combination with SAUTER valve actuators. The warranty does not apply if used with valve actuators from other manufacturers.*

i **Definition of Δp_{max} :** Maximum admissible pressure drop in control mode at which the actuator reliably opens and closes the ball valve.

i **Definition of Δp_s :** Maximum admissible pressure drop in the event of a malfunction (pipe break after the valve) at which the actuator reliably closes the valve by means of a return spring.

Actuator	AKM105F100	AKM105F120	AKM105F122	AKM105SF132	AKM115F120	AKM115F122	AKM115SF132	AKM115SF152
Torque	4 Nm	4 Nm	4 Nm	4 Nm	8 Nm	8 Nm	8 Nm	7 Nm
Control signal	2-/3-point	2-/3-point	2-/3-point	2-/3-point, 0...10 V	2-/3-point	2-/3-point	2-/3-point, 0...10 V	2-/3-pt., 0...10 V, 4...20 mA
Running time	30 s	120 s	120 s	35/60/120 s	120 s	120 s	35/60/120 s	6 s
Operating voltage	230 V~	230 V~	24 V~	24 V~/V=	230 V~	24 V~	24 V~/V=	24 V~/V=

 Δp [bar]

	Δp_{max}	Δp_{max}	Δp_{max}	Δp_{max}	Δp_{max}	Δp_{max}	Δp_{max}	Δp_{max}
VKAA015F300								
VKAA020F300	1.8	1.8	1.8	1.8	3.5	3.5	3.5	3.5
VKAA025F300								
VKAA032F300								
VKAA040F300	1.2	1.2	1.2	1.2	2.4	2.4	2.4	2.4
VKAA050F300								



Actuator	AKF112F120	AKF112F122	AKF113F122	AKF113SF122
Torque	7 Nm	7 Nm	7 Nm	7 Nm
Control signal	2-point	2-point	3-point	0...10 V
Running time	90 s	90 s	90 s	90 s
Operating voltage	230 V~	24 V~/V=	24 V~/V=	24 V~/V=

 Δp [bar]

	Δp_{max}	Δp_s	Δp_{max}	Δp_s	Δp_{max}	Δp_s	Δp_{max}	Δp_s
VKAA015F300								
VKAA020F300	3.5	5.4	3.5	5.4	3.5	5.4	3.5	5.4
VKAA025F300								
VKAA032F300								
VKAA040F300	2.4	5.4	2.4	5.4	2.4	5.4	2.4	5.4
VKAA050F300								

Description of operation

The 2-way cut-off ball valve is moved from one position to the other with an electric actuator.

Position on delivery	90° rotated in clockwise direction
	
A↔AB = 100%	A↔AB = 0%

These 2-way cut-off ball valves are characterised by their reliability and precision and make an important contribution towards environmentally friendly regulation. They meet difficult challenges such as the quick-closing function, overcoming differential pressures, controlling media temperatures and performing the shut-off function, all with a low noise level.

The spindle of the ball valve is automatically connected to the spindle carrier of the actuator. The tightness of the ball is ensured by the PTFE collars incorporated into the body. An O-ring made of EPDM is inserted behind these two collars. These O-rings enable the ball and the two collars to make a small axial movement, providing a high level of tightness and small torques.

The tightness of the spindle is ensured by two O-rings.

Intended use

This product is only suitable for the purpose intended by the manufacturer, as described in the "Description of operation" section.

All related product regulations must also be adhered to. Changing or converting the product is not admissible.

Engineering and fitting notes

The 2-way cut-off ball valves are combined with rotary actuators with or without a spring return.

The actuator is mounted directly on the ball valve and fastened with a bayonet connector.

The actuator shaft is automatically connected to the spindle, whereby the stem of the ball valve is in an intermediate position. When the system is commissioned, the SUT actuator moves to the end position, and the two devices are connected automatically. The angle of rotation of the ball valve is also detected by the actuator, and no further adjustments are required. To avoid the ball valve being jammed in the end positions, the SUT actuator makes a movement of approx. 30° angle of rotation if the end positions of the positioning signal have not changed within 3 days.

So that impurities are retained in the water (welding beads, rust particles, etc.) and the PTFE collar is not damaged, it is recommended to install dirt filters, for example one for each floor or pipe run. For dirt filters, see the accessories, and note the usage and temperature range for each type. Requirements for water quality as per VDI 2035.

All ball valves must be used in closed circuits only. In open circuits, an excessively high oxygen mixture can destroy the ball valves. To avoid this, an oxygen binding agent must be used; here the compatibility must be clarified with the manufacturer of the solution with regard to corrosion. The material list shown below may be used here.

The fittings are usually insulated in the systems. However, note that the flange into which the actuator is inserted is not insulated.

To prevent any disturbing flow noise from being audible in quiet rooms, the pressure difference over the ball valve must not exceed 50% of the specified values.

The crank handle is fixed to the AKM actuators. To operate this crank handle, the manual adjustment knob on the actuator must be pushed downwards. The actuator remains inactive until this knob is shifted into the top position again. There is also a squared end on the crank handle that matches the squared end on the spindle of the ball valve.

Additional technical data

Technical information	
Pressure and temperature data	EN 764, EN 1333
Flow parameters	EN 60534, page 3
Technical manual on control units	7000477001
Parameters, fitting notes, control, general information	Applicable EN, DIN, and AD standards, TRD rules and accident prevention regulations
CE conformity as per PED 2014/68/EU	Fluid group II, no CE label

Using with water

When using water mixed with glycol or an inhibitor, the compatibility of the materials and seals used in the ball valve should be clarified with the manufacturer of the solution.

The material list in the Declaration on materials and the environment MD 56.098 can be used for this purpose. When glycol is used, we recommend using a concentration of between 20% and 50%.

The ball valves are not suitable for potentially explosive atmospheres. The ball valves have the French drinking water approval ACS.

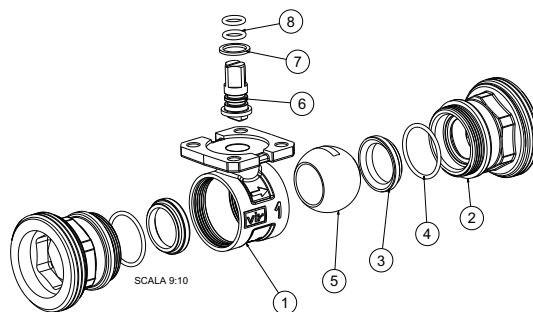
Fitting position

The control unit can be fitted in any position, but the hanging position is not recommended. Condensate, drops of water, etc. must be prevented from entering the actuator.

Additional version information

The body of the ball valve is made of DZR moulded brass (EN 12165) with male thread as per ISO 228-1 G..B. Spindle seal with double O-ring made of ethylene propylene.

Material numbers as per DIN



	DIN material no.	DIN designation
(1) Body of the ball valve	CW602N	CuZn36Pb2As
(2) Connector	CW602N	CuZn36Pb2As
(3) Collar	PTFE	
(4) O-ring	EPDM	
(5) Ball, polished, chrome-plated	CW602N	CuZn36Pb2As
(6) Spindle	CW602N	CuZn36Pb2As
(7) Friction ring	PTFE/bronze/MoS2	
(8) O-ring	EPDM	

Additional details on the definitions of pressure difference

Δp_v :

Maximum admissible pressure difference over the ball valve at every angle of rotation, limited by noise level and erosion.

With this parameter, the ball valve is characterised as a flow element with specific hydraulic behaviour. Monitoring the cavitation and erosion along with the associated noise increases the service life and the operational capacity.

Δp_{max} :

Maximum admissible pressure difference over the ball valve at which the actuator can reliably open and close the ball valve.

The following are considered: Static pressure and flow effects. This value ensures trouble-free rotation movement and tightness. The value Δp_v of the ball valve is never exceeded.

Δp_s :

Maximum admissible pressure difference over the ball valve in the event of a malfunction (e.g. power failure, excessive temperature or pressure, pipe break) at which the actuator can close the ball valve tightly and, if necessary, maintain the entire operating pressure against atmospheric pressure. Because this is a quick-closing function with a rapid angle of rotation change, Δp_s can be greater than Δp_{max} or Δp_v . The disruptive flow effects that arise here are quickly passed through and are of minor importance in this method of operation.

Δp_{stat} :

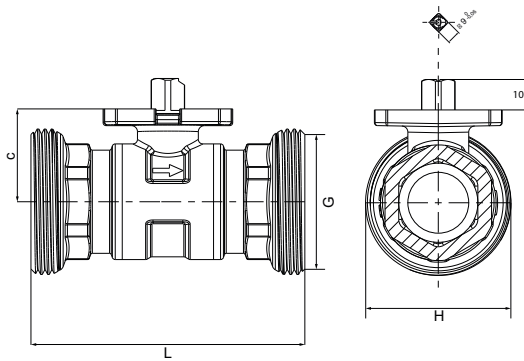
Line pressure behind the ball valve. This essentially corresponds to the idle pressure when the pump is switched off, caused for example by the fluid level in the system, increased pressure due to pressure tanks, steam pressure, etc.

Disposal

When disposing of the product, observe the currently applicable local laws.

More information on materials can be found in the Declaration on materials and the environment for this product.

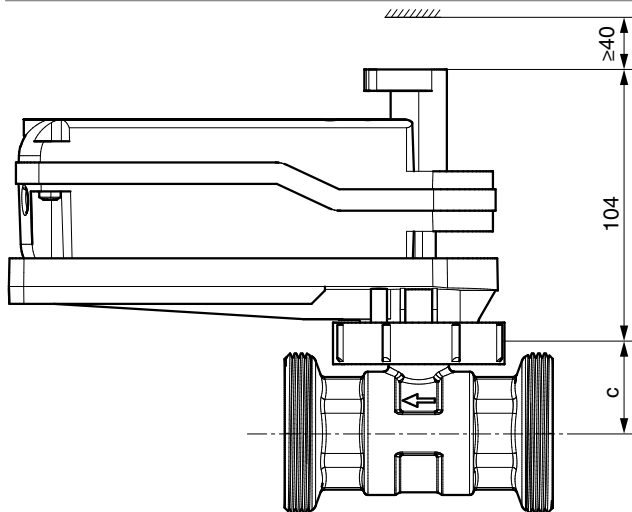
Dimension drawing



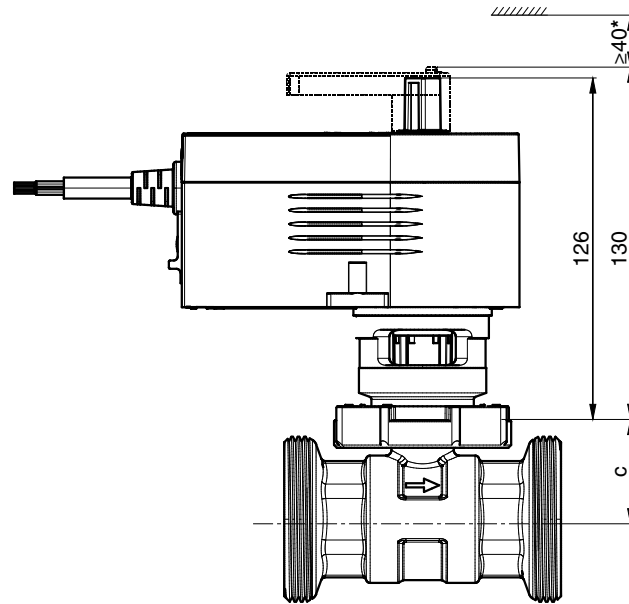
DN	c mm	G inch	L mm	H mm
15	27.6	G 1" B	87	33.25
20	30.5	G 1¼" B	90	41.9
25	30.5	G 1½" B	90	47.8
32	34.3	G 2" B	100	59.6
40	39.8	G 2¼" B	116.2	65.6
50	52.8	G 2¾" B	124.8	81.4

Combination

AKF 112, 113(S)



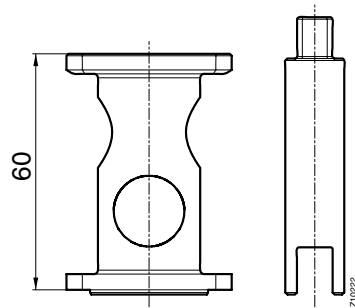
AKM 105, 115(S)



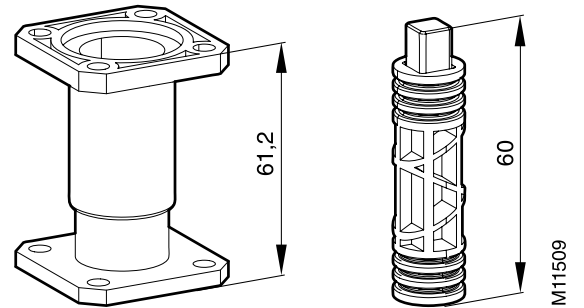
* With accessory 0510480001 and 0510480002: ≥ 72 mm

Accessories

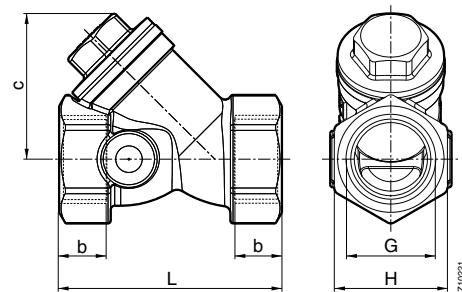
0510420001



0510240011

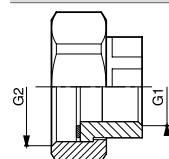


0560332 0..



DN	b mm	c mm	G inch (ISO 228-1)	L mm	H mm
15	12	38	G 1/2	54	27
20	15	43	G 3/4	67	34
25	16	53	G 1	79	41
32	17	64	G 1 1/4	98	51
40	18	70	G 1 1/2	106	57
50	20	85	G 2	122	69

03619510**



DN	G1 inch (ISO 228-1)	G2 inch (ISO 228-1)
15	Rp 1/2	G 1
20	Rp 3/4	G 1 1/4
25	Rp 1	G 1 1/2
32	Rp 1 1/4	G 2
40	Rp 1 1/2	G 2 1/4
50	Rp 2	G 2 3/4