

Connecting pieces and fitting material for pneumatic uses

Areas of application

Pneumatic systems

Features

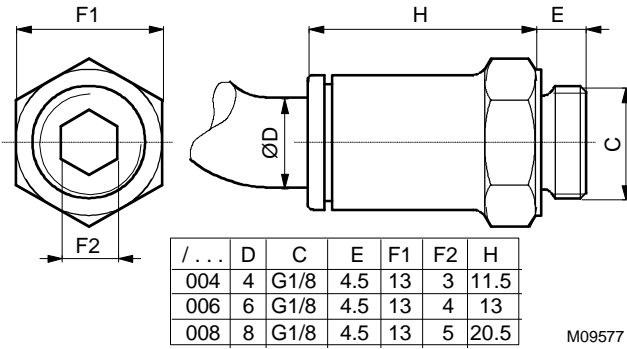
- PDS offers an overview of connection components and installation equipment
- Item for fast fitting on site or in motor control centre

Type	Description	Tube di mm	Thread	Material
0277790 000*	Hose clamp d = 6 for T > 40 °C			
0296218 000*	Union piece, plug-in type	4		
0296990 000*	Union piece, screw type	4		
0297169 000*	'Plasto-Joint' sealing stick			
0297354 000*	Connection nipple, R 1/8, for tube d = 4	4		
0297772 001*	Screw-type nipple, M4	4		
0382050 004*	Screw-in connector, straight	4	G 1/8	Brass, nickel-plated
0382050 006*	Screw-in connector, straight	6	G 1/8	Brass, nickel-plated
0382050 008*	Screw-in connector, straight	8	G 1/8	Brass, nickel-plated
0382051 004*	T-piece	4		Polymer H.F.
0382051 006*	T-piece	6		Polymer H.F.
0382051 008*	T-piece	8		Polymer H.F.
0382052 010*	T-piece	10		Polymer H.F.
0382053 004*	Union piece	4 - 6		Polymer H.F.
0382053 006*	Union piece	6 - 8		Polymer H.F.
0382054 004*	Schott connector	4		Polymer H.F.
0382054 006*	Schott connector	6		Polymer H.F.
0382054 008*	Schott connector	8		Polymer H.F.
0382055 004*	Plug	4		Polymer H.F.
0382055 006*	Plug	6		Polymer H.F.
0382055 008*	Plug	8		Polymer H.F.
0382056 004*	Y-piece	4 - 6		Polymer H.F.
0382056 006*	Y-piece	6 - 6		Polymer H.F.
0382057 004*	Y-piece, screw-in plug	4	G 1/8	Polymer/brass
0382057 006*	Y-piece, screw-in plug	6	G 1/8	Polymer/brass
0382058 008*	Screw-in connector	8	R 3/8	Polymer/brass
0382059 006*	Elbow, screw-on connector		G 1/8	Polymer/brass
0382059 008*	Elbow, screw-on connector		G 1/8	Polymer/brass
0382060 004*	Elbow, screw-in connector		G 1/8	Polymer/brass
0382060 006*	Elbow, screw-in connector		G 1/8	Polymer/brass
0382060 008*	Elbow, screw-in connector		G 1/4	Polymer/brass
0382060 010*	Elbow, screw-in connector		G 3/8	Polymer/brass
0382061 004*	Elbow, screw-in rotary connector			Polymer/brass
0382062 008*	T-shaped, three-fold, plug-in connector	8 - 6		Polymer/brass
0382062 010*	T-shaped, three-fold, plug-in connector	10 - 8		Polymer/brass
0382063 006*	8-fold distributor	6	G 1/4	Anodised aluminium
0382063 008*	6-fold distributor	8	G 3/8	Anodised aluminium
0382064 007*	Through ball valve		G 3/8	Brass, nickel-plated

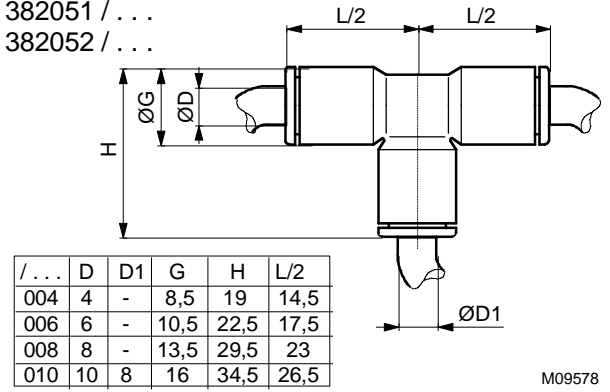
*) Dimension drawing for accessories is available under the same number.

Dimension drawings

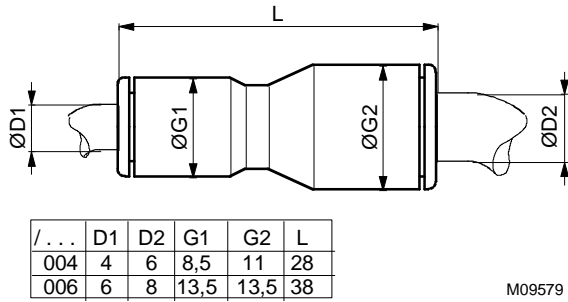
382050 / ...



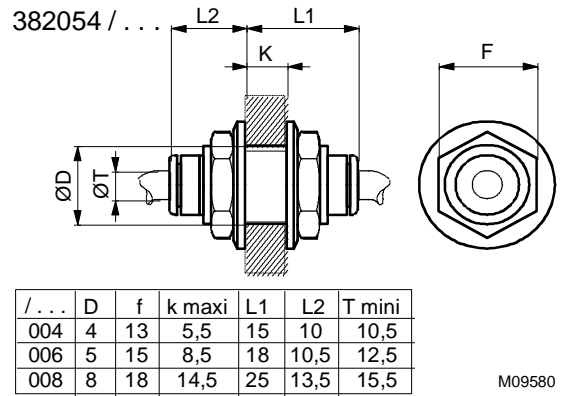
382051 / ...
382052 / ...



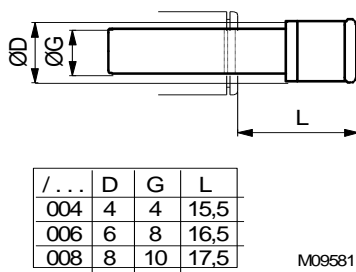
382053 / ...



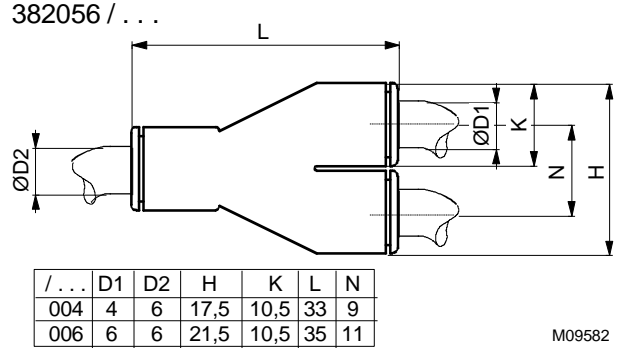
382054 / ...



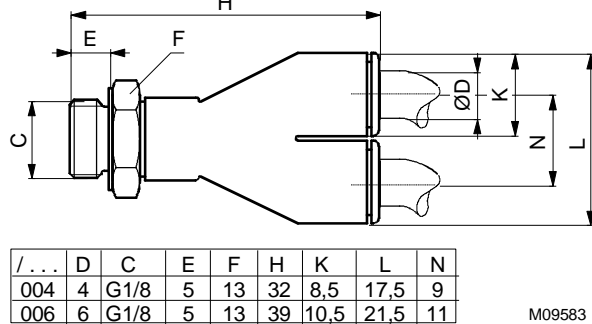
382055 / ...



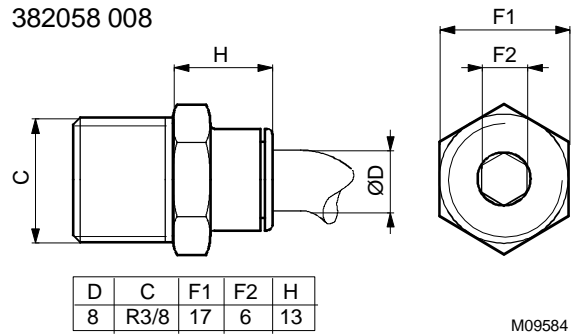
382056 / ...



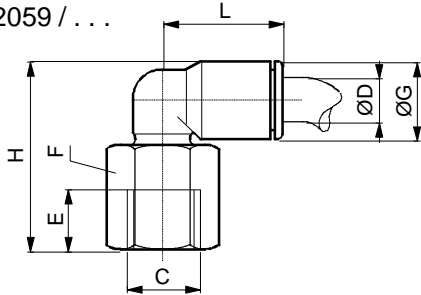
382057 / ...



382058 008



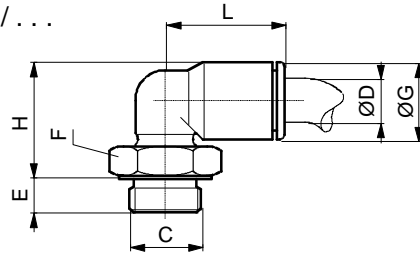
382059 / ...



/... D	C	E	F	G	H	L
006	6	G1/8	8,5	13	10,5	25
008	8	G1/8	8,5	13	13,5	28

M09585

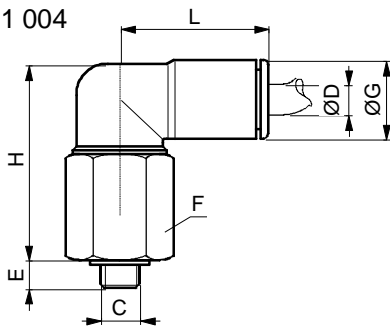
382060 / ...



/... D	C	E	F	G	H	L
004	4	G1/8	5	13	8,5	13
006	6	G1/8	5	13	10,5	15
008	8	G1/4	5,5	16	13,5	18,5
010	10	G3/8	5,5	20	16	22

M09586

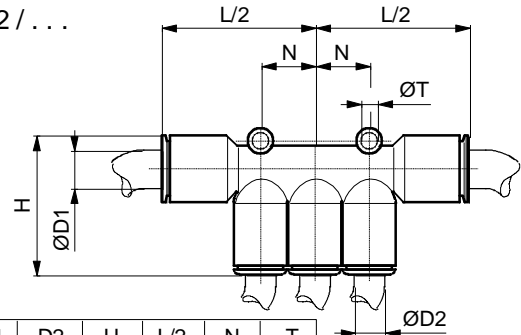
382061 004



D	C	E	F	G	H	L
4	M5x0,8	3,5	12	10	25	19,5

M09587

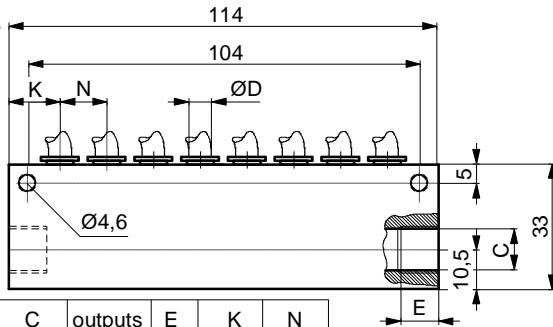
382062 / ...



/... D1	D2	H	L/2	N	T
008	8	6	24,5	37	11,5
010	10	8	36	40,5	14,5

M09588

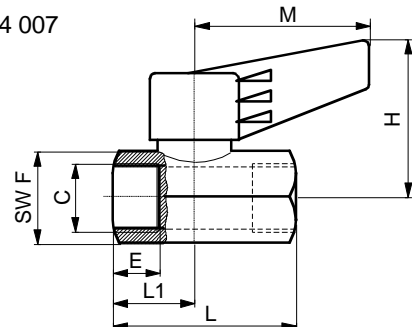
382063/...



/... D	C	outputs	E	K	N
006	6	G1/4	8	10	13,5
008	8	G3/4	6	12	19

M09589

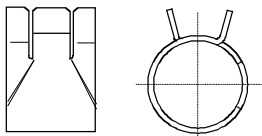
382064 007



C	E	DN	F	H	L	L1	M
G3/8	11	7	22	38	45	20	43

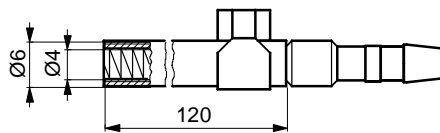
M09590

277790



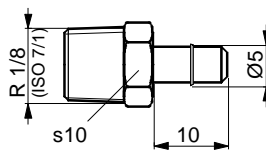
M02438

296218



M00563

297354



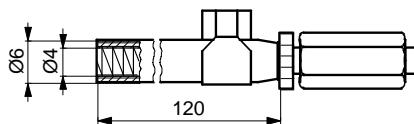
M00568

297169



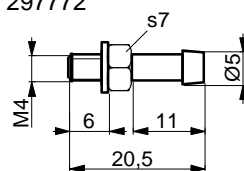
M02442

296990



M00564

297772



M03499